



# BIN200-P

## ICE STORAGE BIN

Stainless steel storage bin which sits underneath a range of Brema modular ice machine heads.

The BIN200-P stores 200kg of ice and has an insulated polyethylene moulded tank to ensure long-lasting, quality ice.

When coupled with an ice cube or ice flake head, the BIN200 generously stores ice to meet peak demand times for a range of applications.

Can be coupled with: C150, VM350/500/900, TM250/450, G160/280/510.

### STANDARD FEATURES

- 200kg storage capacity
- Can be coupled with a range of Brema modular ice machine heads
- Stainless steel 18/8 construction
- Polyethylene moulded tank and door for insulation

### STANDARD ACCESSORIES

- Drainage hose
- Adjustable stainless steel legs (4)
- Plastic ice scoop



### DIMENSIONS

870W x 815D x 1030\*H mm \*(add 100-160mm for adjustable legs)

Clearances: Rear: 100mm Sides: 100mm

### CONNECTIONS

24mm Water outlet

### TECHNICAL DATA

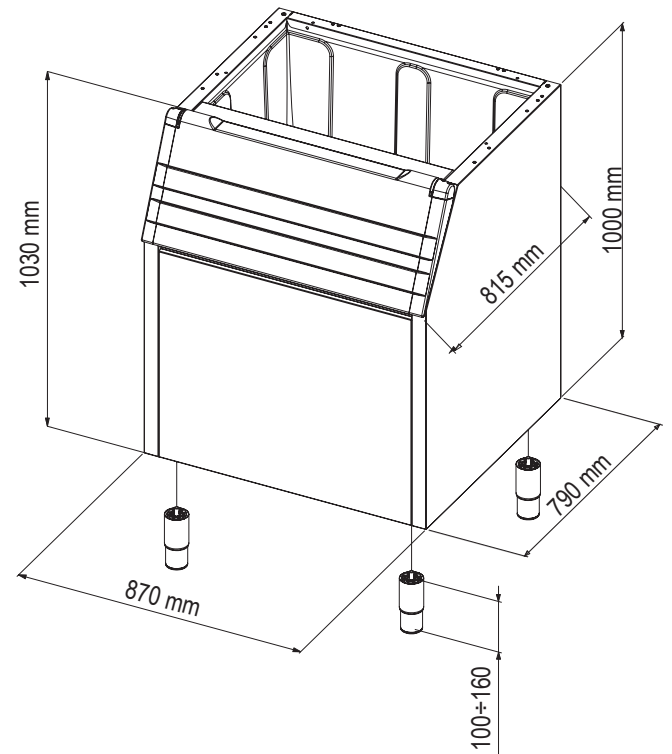
Storage Capacity: 200kg

Weight: 74kg

### USABLE WITH MODULAR HEADS

C150, VM350/500/900, TM140/250/450, G160/280/510

SPECIFICATIONS ARE SUBJECT TO CHANGE WITHOUT NOTICE.



**WA DEALER**  
**PRACTICAL PRODUCTS PTY LTD**

PH: 08 9302 1299  
51 Paramount Dr Wangara WA 6065  
sales@practicalproducts.com.au  
www.practicalproducts.com.au