

Stainless steel storage bin which sits underneath a range of Brema modular ice machine heads.

The BIN550 V DS stores 550kg of ice and has an insulated polyethylene moulded tank to ensure long-lasting, quality ice.

When coupled with an ice flake head, the BIN550 V DS generously stores ice to meet peak demand times for a range of applications.

Can be coupled with: TM450, G510 (x2), G1000, M350/600/800/1500.

**STANDARD FEATURES**

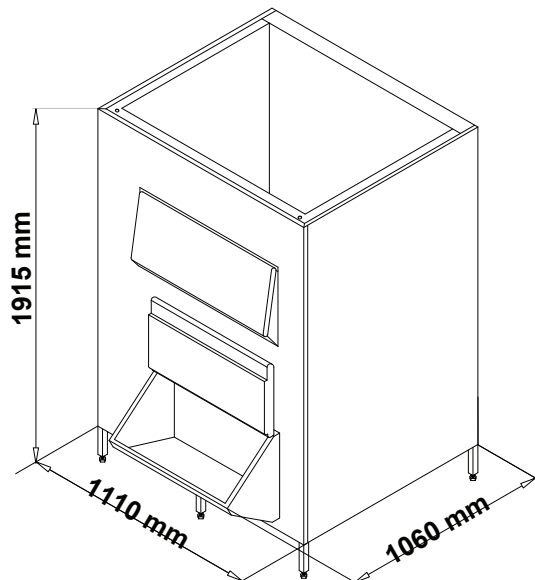
- 550kg storage capacity
- Can be coupled with a range of Brema modular ice machine heads
- Hospital grade stainless steel outer
- Polyethylene moulded tank for insulation
- Two piano-hinged door

**STANDARD ACCESSORIES**

- Drainage hose
- Plastic ice scoop



DIMENSIONS	
1110W x 1060D x 1915*H mm *(add 100-160mm for adjustable legs)	
Clearances: Rear: 100mm Sides: 100mm	
CONNECTIONS	
24mm Water outlet	
TECHNICAL DATA	
Storage Capacity:	550kg
Weight:	163kg
USABLE WITH MODULAR HEADS	
TM450, G510 (x2), G1000, M350/600/800/1500	
SPECIFICATIONS ARE SUBJECT TO CHANGE WITHOUT NOTICE.	



**WA DEALER**  
**PRACTICAL PRODUCTS PTY LTD**  
 PH: 08 9302 1299  
 51 Paramount Dr Wangara WA 6065  
 sales@practicalproducts.com.au  
 www.practicalproducts.com.au