



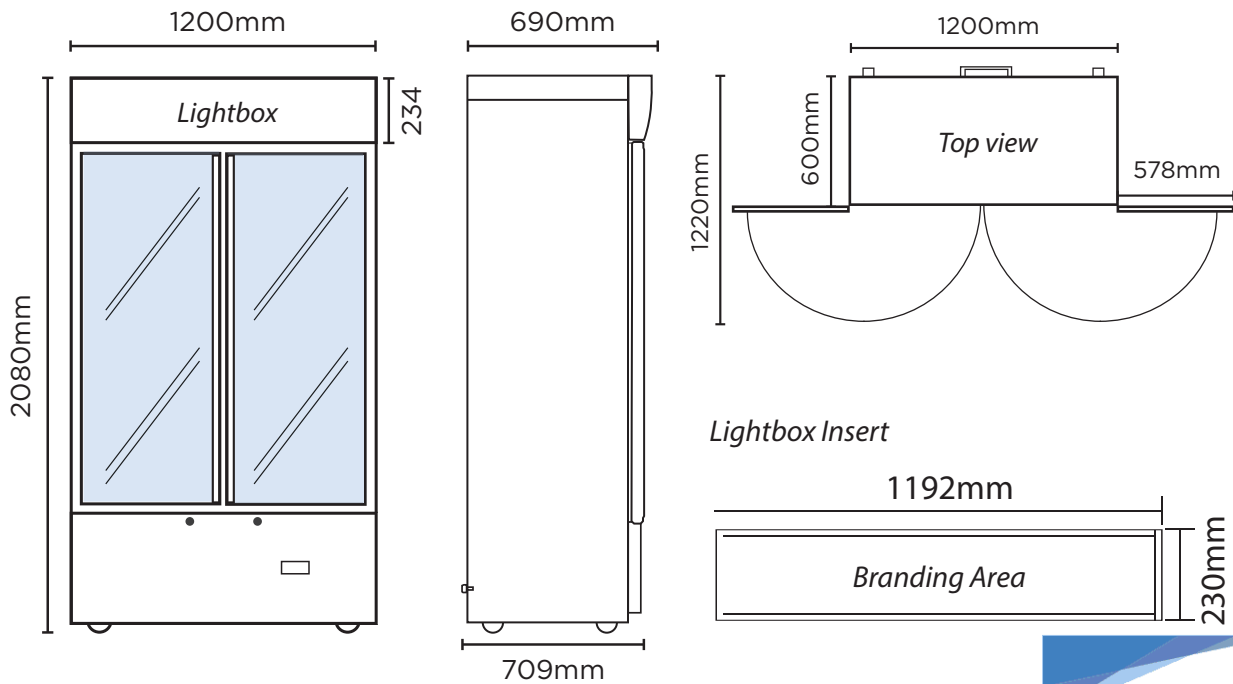
Casette Flat Glass Door LED Display Fridge

| Vertical Display & Storage



Casette Flat Glass Door LED Display Fridge

| Vertical Display & Storage



WA DEALER
PRACTICAL PRODUCTS PTY LTD

PH: 08 9302 1299
51 Paramount Dr Wangara WA 6065
sales@practicalproducts.com.au
www.practicalproducts.com.au

SPECIFICATIONS

Model Number	GM1000LBCAS
Part Number	3736251
Volume	960L
Unit Weight	188kg
Packaged Weight	193kg
Adjustable Temp. Range	+2°C to +5°C
Max. Ambient Temp.	38°C
Climate Class	3M1
Energy Consumption	6.86kWh/24h
GEMS Star Rating	6 stars
Refrigeration Capacity	520W
Refrigerant	R290
Rated Current	2.3A
Electrical Voltage	220-240V
Frequency	50Hz
Power Supply	Single Phase
Power Plug	1 x 10A
Plug Location	Bottom Left

Colour	Black
Display Light Box	Yes
Internal Light	LED
No. of Doors	2
Door Type	Glass
Door Glass Type	Double glazed
Door Style	Hinged
Door Shape	Flat
Door Swing Dimension	660mm
Total Depth of door open	1220mm
Self-Closing Door	Yes
Door Lock	Yes
No. of Shelves incl Base	6
Shelf Type	Adjustable
Shelves Dimensions	527(w) x 478(d) mm
Temp. Controller	Digital
Castors	Yes
Warranty	2 Years Bromic Extra Care Warranty - Labour and Parts

DIMENSIONS

	External (mm)
Width	1200
Depth	690
Height	2080
	Internal (mm)
Width	1090
Depth	545
Height	1465
	Packaged (mm)
Width	1270
Depth	755
Height	2112