

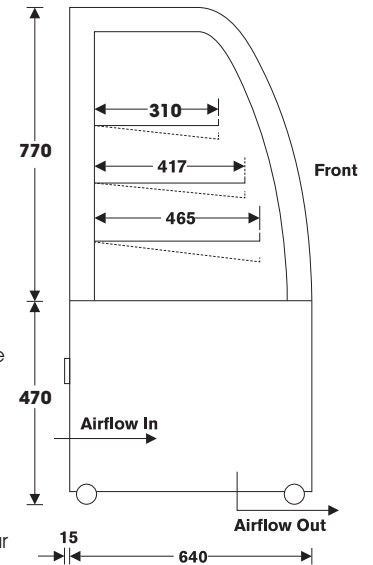


LC12

### STANDARD FEATURES

- › **FrameFree** canopy that maximises fully the visibility of displayed food
- › Four food display levels: three shelves plus bottom trays
- › Chrome wire shelving system that is height adjustable in 25mm increments and interchangeable between horizontal and tilted positions
- › **CrumbCatch** feature in bottom trays that collects falling crumbs and food
- › High quality European refrigeration components
- › Fan forced air flow for even temperature distribution
- › Refrigeration optimised to provide a high humidity environment that maintains food quality for longer
- › **DuraCoat** system providing a protective coating over the refrigeration coil to prevent food acid corrosion
- › **SureVap** self-evaporating system for condensate—no drain required
- › Condenser air vented through base—no unsightly vents
- › **SlimLED** under-shelf LED strip lighting with 12V safety
- › Rear sliding, double-glazed doors on friction-free, low wear tracks (doors removable for cleaning)
- › Mounted on swivel and lockable castors allowing easy movement of cabinet

### SIDE VIEW



# LINCOLN: CHILLED

The Lincoln cabinet adds a designer look to any food service environment. The curved glass front of the elegant Lincoln cabinet gives visual impact and provides an unobstructed view of the displayed food.

**4°C operating temperature**

**Climate class 3M1 (25°C/60%RH)**

**WA DEALER**  
**PRACTICAL PRODUCTS PTY LTD**

PH: 08 9302 1299  
51 Paramount Dr Wangara WA 6065  
sales@practicalproducts.com.au  
www.practicalproducts.com.au

Model	LC6	LC9	LC12	LC15	LC18	LC24
Length	600mm	900mm	1200mm	1530mm	1770mm	2370mm
Depth*	640mm	640mm	640mm	640mm	640mm	640mm
Height	1240mm	1240mm	1240mm	1240mm	1240mm	1240mm
Available Display Area	0.84m <sup>2</sup>	1.34m <sup>2</sup>	1.83m <sup>2</sup>	2.4m <sup>2</sup>	2.7m <sup>2</sup>	3.7m <sup>2</sup>
Power Connection	10A Plug	10A Plug	10A Plug	10A Plug	10A Plug	10A Plug

*\*Add extra 15mm for protruding control panel and switches*