



## M Series 420 Ice Cube Machine

Model:  MD0420A-251B  MY0420A-251B  MD0420W-251B  MY0420W-251B



M420 Ice Machine on A420V Bin

- Up to 176 kgs (389 lbs) daily ice production and only 22.00" (55.90 cm) wide
- R-410A CFC-free refrigerant
- Easy access to food zone with removal of two screws and lift-off door
- White plastics in the food zone help identify areas needing cleaning
- Water shield, distribution tube, pump, floats, and trough removable by hand
- Available CleanAir™ pack controls the growth of bacteria and fungi that form slime and cause odors in the food zone

### Specifications

**BTU Per Hour:**  
5,400 (average), 6,300 (peak)

**Compressor:**  
Nominal Rating: 3/4 HP

**Refrigerant:**  
R-410A

**Operating Limits:**

- Ambient Temperature Range: 1.7°C to 43.3°C

- Water Temperature Range: 1.7°C to 32.2°C

- Water Pressure Ice Maker Water In:  
Min. 20 psi (137.9kPA)  
Max. 80 psi (551.1kPA)



### Ice Machine Electric

220-240/50/1 standard

**Total Circuit Ampacity:**

Air Cooled: 6.2A  
Water Cooled: 5.8A

**Maximun Fuse Size:**

15A

HACR-type circuit breakers can be used in place of fuses

### Cube Size Available



Half-dice  
3/8" x 1 1/8" x 7/8"  
(0.95 x 2.86 x 2.22 cm)



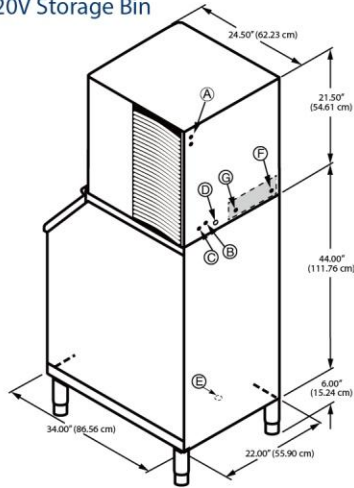
Dice  
7/8" X 7/8" X 7/8"  
2.22 X 2.22 X 2.22 (cm)





# M Series 420 Ice Cube Machine

M420 on A420V Storage Bin



- (A) Electrical Entrance (2) Options
- (B) 3/8" (0.95 cm) F.P.T. Ice Making Water Inlet
- (C) 1/2" (1.27 cm) F.P.T. Ice Making Water Drain
- (D) 1/2" (1.27 cm) Auxillary Base Drain Socket
- (E) 3/4" (1.91 cm) Bin Drain
- (F) 3/8" (0.95 cm) F.P.T. Water Condenser Inlet (water-cooled units)
- (G) 1/2" (1.27 cm) F.P.T. Water Condenser Outlet (water-cooled units)

*Installation Note - Minimum installation clearance:  
 Top/sides: 8" (20.32 cm), back: 5" (12.70 cm).*

### Space-Saving Designs



#### M420 A420V

|             |                    |
|-------------|--------------------|
| Height      | 71.50"<br>181.61cm |
| Width       | 22.00"<br>55.90 cm |
| Depth       | 34.00"<br>86.56 cm |
| Bin Storage | 310 lbs<br>141 kg  |

*Height includes adjustable bin legs 6.00" to 7.00"  
 (15.24 cm to 17.78 cm) set at 6.00" (15.24 cm).*

| Model        | Ice Shape | Ice Production 24 Hours |                    | Power Usage<br>kWh/100 lbs.<br>@90°Air/70°F | Water Usage<br>100 lbs.<br>45.4 kgs. of Ice |
|--------------|-----------|-------------------------|--------------------|---|---|
|              |           | 70°Air/ 50°F Water      | 90°Air/ 70°F Water |   |   |
| MD0420A-251B | dice      | 176 kg                  | 132 kg             | 6.65  | 75.7  |
|              |           | 389 lbs                 | 305 lbs            |   |   |
| MY0420A-251B | half-dice | 166 kg                  | 141 kg             | 6.00  | 75.7  |
|              |           | 365 lbs                 | 310 lbs            |   |   |
| MD0420W-251B | dice      | 175 kg                  | 156 kg             | 5.00  | 75.7  |
|              |           | 385 lbs                 | 343 lbs            |   |   |
| MY0420W-251B | half-dice | 171 kg                  | 153 kg             | 5.00  | 75.7  |
|              |           | 378 lbs                 | 337 lbs            |   |   |

*Order ice storage bin separately. Suffix of model "A" means air cooled condenser, Suffix of model "W" means water cooled condenser.*

#### CleanAir™ Pack Slime Inhibitor



CleanAir™ Pack Accessory is patented technology that releases chlorine dioxide on a controlled basis to inhibit the growth of bacteria and fungi that form slime and cause odors in the food zone ice machines.

#### Easy Access to Parts of Water System



Water shield, distribution tube, pump, floats, and trough removable by hand

#### Easy Access to Air Filter



Easy to clean, reusable air filter protects condenser from lint, grease and dust.

©2016 Manitowoc 03/04 Continuing product improvement may necessitate change of specifications without notice.