



M Series 500 Ice Cube Machine

Model: MD0500A-251B MY0500A-251B MD0500W-251B MY0500W-251B



M500 Ice Machine on A400V Bin

- Up to 226 kgs (499 lbs) daily ice production and Only 30.00" (76.00 cm) wide
- R-410A CFC-free refrigerant
- Easy access to food zone with removal of two screws and lift-off door
- White plastics in the food zone help identify areas needing cleaning
- Water shield, distribution tube, pump, floats, and trough removable by hand
- Available CleanAir™ pack controls the growth of bacteria and fungi that form slime and cause odors in the food zone

Specifications

BTU Per Hour:
5,300 (average), 6,100 (peak)

Compressor:
Nominal rating: 3/4 HP

Refrigerant:
R-410A

Operating Limits:

- Ambient Temperature Range: 1.7°C to 43.3°C

- Water Temperature Range: 1.7°C to 32.2°C

- Water Pressure Ice Maker Water In:
Min. 20 psi (137.9kPA)
Max. 80 psi (551.1kPA)



Ice Machine Electric

220-240/50/1 standard

Total Circuit Ampacity:

Air-cooled: 6.3A
Water-cooled: 5.9A

Maximum fuse size:

15A

HACR-type circuit breakers can be used in place of fuses

Cube Size Available



Half-dice
3/8" x 1 1/8" x 7/8"
(0.95 x 2.86 x 2.22 cm)



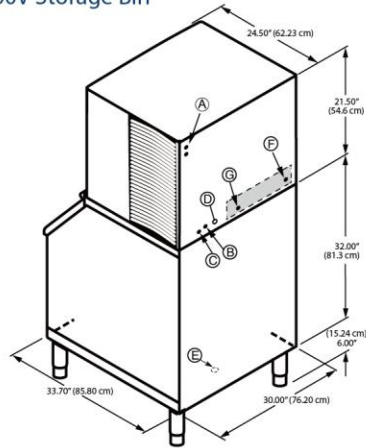
Dice
7/8" X 7/8" X 7/8"
2.22 X 2.22 X 2.22 (cm)





M Series 500 Ice Cube Machine

M500 on A400V Storage Bin



- A Electrical Entrance (2) Options
- B 3/8" (0.95 cm) F.P.T. Ice Making Water Inlet
- C 1/2" (1.27 cm) F.P.T. Ice Making Water Drain
- D 1/2" (1.27 cm) Auxiliary Base Drain Socket
- E 3/4" (1.91 cm) Bin Drain
- F 3/8" (0.95 cm) F.P.T. Water Condenser Inlet (water-cooled units)
- G 1/2" (1.27 cm) F.P.T. Water Condenser Outlet (water-cooled units)

Installation Note - Minimum installation clearance:
Top/sides: 8" (20.32 cm), back: 5" (12.70 cm).

Space-Saving Designs



	M500 A400V
Height	59.50" 151.14 cm
Width	30.00" 76.20 cm
Depth	33.70" 85.80 cm
Bin Storage	290 lbs 132 kg

Height includes adjustable bin legs 6.00" to 7.00"
(15.24 cm to 17.78 cm) set at 6.00" (15.24 cm).

Model	Ice Shape	Ice Production 24 Hours		Power Usage kWh/100 lbs. @90°Air/70°F	Water Usage 100 lbs. 45.4 kgs. of Ice
		70°Air/ 50°F Water	90°Air/ 70°F Water		
MD0500A-251B	dice	214 kg	169 kg	6.64	75.7
		472 lbs	372 lbs		
MY0500A-251B	half-dice	226 kg	178 kg	6.45	75.7
		499 lbs	392 lbs		
MD0500W-251B	dice	202 kg	180 kg	5.09	75.7
		445 lbs	396 lbs		
MY0500W-251B	half-dice	208 kg	183 kg	4.87	75.7
		458 lbs	404 lbs		

Order ice storage bin separately. Suffix of model "A" means air cooled condenser, Suffix of model "W" means water cooled condenser.

CleanAir™ Pack Slime Inhibitor



CleanAir™ Pack Accessory is patented technology that releases chlorine dioxide on a controlled basis to inhibit the growth of bacteria and fungi that form slime and cause odors in the food zone ice machines.

Easy Access Parts Of Water System



Water shield, distribution tube, pump, floats, and trough removable by hand

Easy Access Air Filter



Easy to clean, reusable air filter protects condenser from lint, grease and dust.

©2016 Manitowoc 03/04 Continuing product improvement may necessitate change of specifications without notice.