

# RFK-1300 Flake Ice Machine

## Model

- RFK-1300A       RFK-1300W



Model RFK-1300A  
Flake Ice Machine  
on D-570 Bin

## Standard Features

- Up to 590 kgs (1301 lbs) daily flake ice production
- Easy to clean due to internal rounded surfaces
- High load maintenance free bearings for enhanced reliability
- Service updates facilitate installation and make cleaning easier
- Flake Ice is perfect for food display, salad bars, and cold therapy/healthcare
- Ice forms around object without bruising and holds objects in place without tipping/spilling
- Heavy duty stainless steel cabinet resists corrosion

COMMERCIAL WARRANTY		
ICE MAKER		COMPRESSOR
<b>3</b>	<b>3</b>	<b>5</b>
YEAR PARTS	YEAR LABOR	YEAR PARTS 3 YEAR LABOR

## Specifications

**Condenser Heat of Rejections (BTU per hour):**  
Air: 14,000 (average)  
Water: 1,500 (average)

**Refrigerant:** R452A

**Ice Machine Electric**  
220-240/50/1

**Ave power consumption:** 1400 W

**Maximum fuse size:**  
16 amps.

HACR-type circuit breakers can be used in place of fuses.

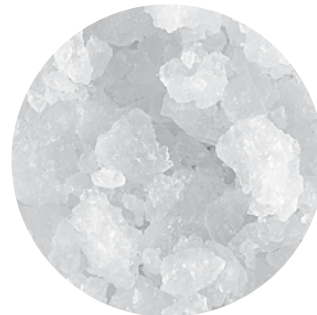
### Operating Limits:

- Ambient Temperature Range:  
Air- and Water-cooled:  
50°-110° F (10°-43° C)
- Water Temperature Range:  
37°-90° F (3°-32° C)
- Water Pressure Ice Maker  
Water In:  
Min. 14 psi (1 bar)  
Max. 84 psi (6 bar)
- Condenser Inlet Water In:  
(water-cooled only)  
Min 20 psi (1.4 bar)  
Max 150 psi (10.3 bar)

Water Condenser not for sea water applications.

## Ice Shape

Flake ice is small hard bits of ice ideally suited for presentation applications.

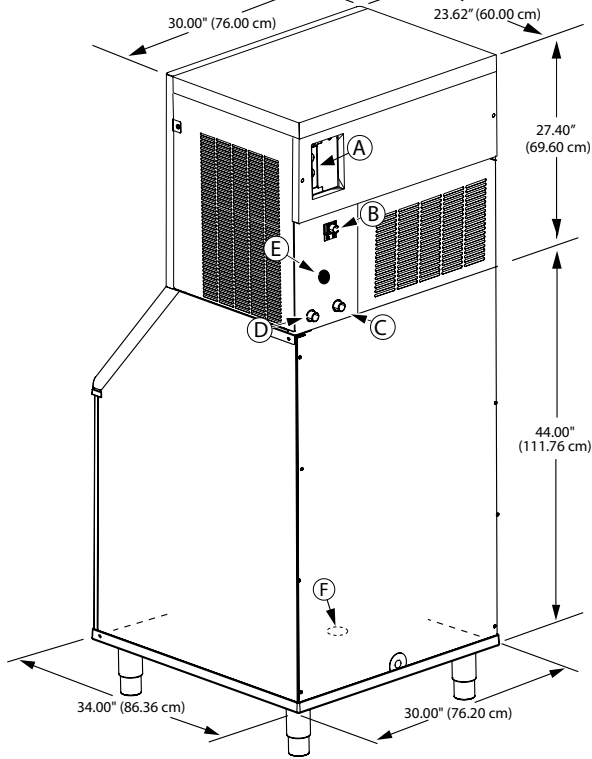


[www.manitowocice.com](http://www.manitowocice.com)



**RFK-1300 Flake Ice Machine**

**RFK-1300 on D-570 Storage Bin**



**Installation Note -**  
Minimum installation clearance:  
Top/sides: 8" (20.32 cm),  
Back: 5" (12.70 cm).

- Ⓐ Electrical Entrance (2) Options
- Air-Cooled Units:**
  - Ⓑ 3/8" F.P.T. Ice Making Water Inlet
  - Ⓒ 1/2" M.P.T. Ice Making Water Drain
- Water-Cooled Unit Option:**
  - Ⓑ 3/8" F.P.T. Condenser Inlet
  - Ⓒ 1/2" M.P.T. Condenser Drain
  - Ⓓ 1/2" M.P.T. Ice Making Water Drain
  - Ⓔ 3/8" F.P.T. Ice Making Water Inlet
  - Ⓕ 3/4" F.P.T. Bin Drain

Shipping Weight 113kg / 249lbs

**Space-Saving Design**



**RFK-1300 on D-570**

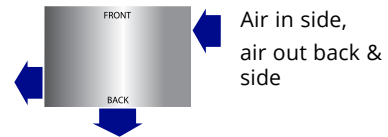
Height	77.40" 196.60 cm
Width	30.00" 76.00 cm
Depth	34.00" 86.36 cm
Bin Storage	430 lbs. 195 kgs

*Height includes adjustable bin legs 6.00" to 7.00"; (15.24 to 17.78 cm) set at 6.00" (15.24 cm).*

**Accessories**

K-00470 Bin Adapter for RFP-1300 on a 48" D-970 ice bin

**Air Flow Overhead View**



	Model	Ice	Ice Production 24 Hrs.		Power kWh/45.4 kgs/100 lbs of Ice 32°/21°C 90° Air/70° F Water	Water Usage (45.4 kgs/100 lbs of Ice)	
			10° Air/7°C Water 50° Air/45°F Water	21° Air/15°C Water 70° Air/60°C Water		Potable Water	Condenser Water
<b>Air-Cooled</b>	RFK-1300A	Flake	590 kgs	510 kgs	4.54 kWh	12 gal.	N/A
			1301 lbs	1124 lbs		45.4 L	N/A
<b>Water-Cooled</b>	RFK-1300W	Flake	590 kgs	510 kgs	4.54 kWh	12 gal.	96 gal.
			1301 lbs	1124 lbs		45.4 L	363 L

Welbilt reserves the right to make changes to the design or specifications without prior notice.

[www.manitowocice.com](http://www.manitowocice.com)