

## Square Glass Refrigerated Display Bars

These units match the complete range of square glass hot food display bars. Together they offer a stylish visual display to enhance your product. Max pan depth 65 mm. All units combine the use of cold plate and cross fin coil cooling. Set of 1/2 size 65 mm pans included.



SRX25RD pictured

### FEATURES

- All stainless steel construction with tubular frame
- Refrigerated cold plate and cross fin coil technology
- Quality refrigeration unit running on environmentally friendly R404A refrigerant
- Overhead fluorescent light
- Quiet operation
- Double skin construction
- Safety lock ball valve drain
- Streamlined for easy cleaning
- Toughened safety glass front
- Adjustable digital thermostat with temperature readout
- Removable cross bars
- Rear roller doors fitted as standard

See pages 52 - 54 for all optional accessories.



### SPECIFICATIONS

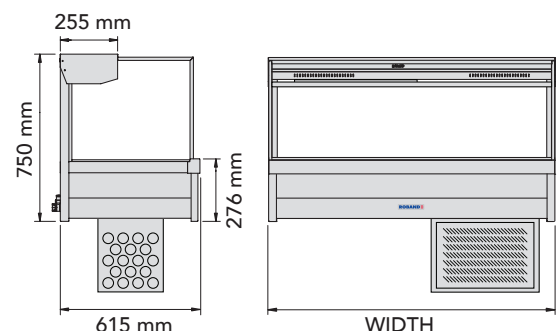
MODEL	NO. OF PANS	POWER Watts <sup>^</sup>	CURRENT Amps	DIMENSIONS w x d x h (mm)
<b>REFRIGERATED COLD PLATE &amp; CROSS FIN COIL</b>				
SRX23RD	6	530	2.3	1030 x 615 x 750
SRX24RD	8	625	2.7	1355 x 615 x 750
SRX25RD	10	815	3.5	1680 x 615 x 750
SRX26RD	12	815	3.5	2005 x 615 x 750
<b>COLD PLATE &amp; CROSS FIN COIL - PIPED &amp; FOAMED ONLY (NO MOTOR)</b>				
SFX23RD	6	30	0.2	1030 x 615 x 750
SFX24RD	8	45	0.3	1355 x 615 x 750
SFX25RD	10	45	0.3	1680 x 615 x 750
SFX26RD	12	45	0.3	2005 x 615 x 750

<sup>^</sup>Nominal ref. capacity.

Note: RD signifies roller doors included. SFX units are piped and foamed for remote installation and include control panel, thermometer & light. Refrigeration unit and cage is not included for SFX range.

Roband food display bars are designed to accommodate pans available from Roband Australia. Although other brands of pans may fit, this is not guaranteed due to variations in other manufacturers' pans.

Adjustable digital thermostat, 0 °C to 8 °C



Note: For SRX model range overall height dimensions, add height of motor cage (450 mm).