

TRCB-79-86-HC

Under-Equipment Refrigerator, 4 Drawers, Extended top



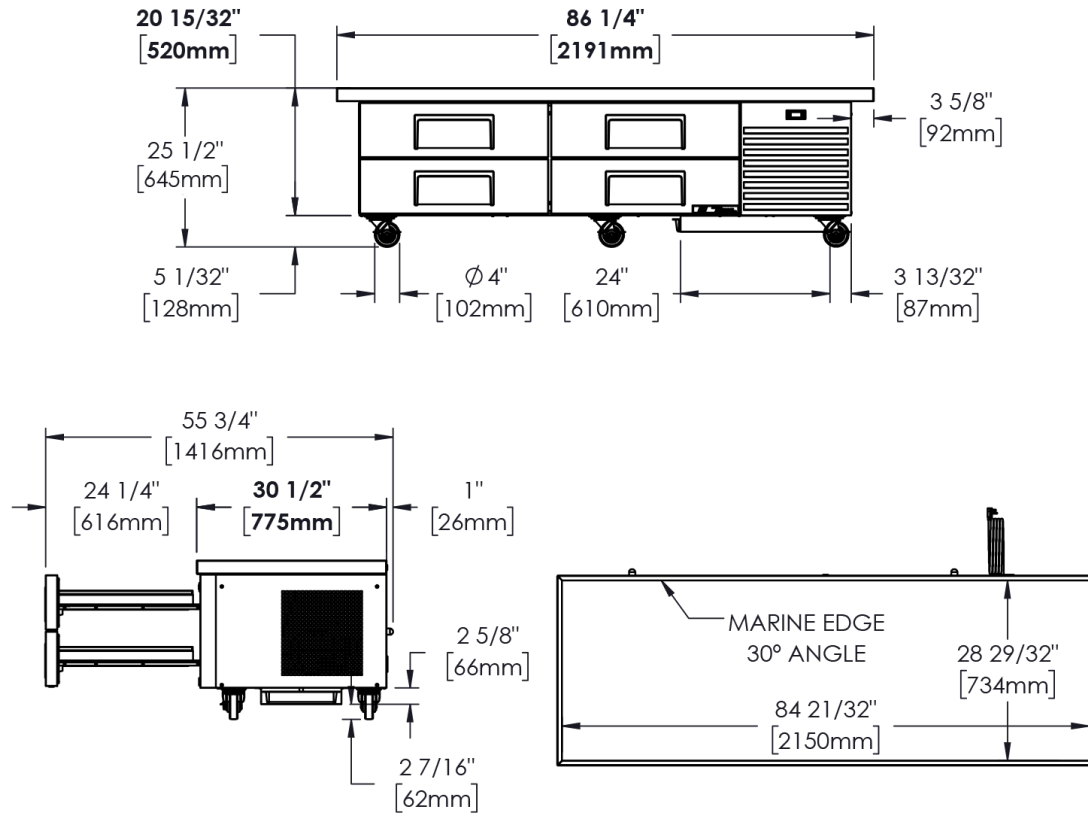
Dimensions		Build		Technical	
External Width (mm)	2191	Number of Drawers	4	Temperature Holding	0.5 : 3.3°C
External Depth (mm)	775	Exterior Construction	Stainless steel front and top, aluminium sides and rear	Refrigerant	R290
External Height (mm)	648	Interior Construction	Clear coated aluminium, stainless steel base	Voltage / Frequency / Phase	220-240V/50-60Hz/1
Exclusions	Depth does not include 26 mm for rear bumpers.	Air Intake Position	Front	Amps	2
Net Volume (Litres)	104	Ventilation Position	Right side	Wattage	460
Gross Volume (Litres)	425	Clearance Required	26 mm rear. Minimum clearance of 102 mm is required between bottom of cooking equipment heating element and the TRCB top.	Climate Class	5
Per Drawer Capacity (max depth mm)	2x 1/1 GN (100)	Cord Length (Meters)	2.13	Operating Statement	Heavy Duty: This appliance is intended for use in ambient temperatures up to 40°C.
Unpackaged Weight (kg)	184	Max Weight Supported (kg)	492	Testing Standard	EN 16825
Packaged Weight (kg)	195	Standard w/ Locks	Not standard (build option)	EEC	D
Packaged Dimensions (W x D x H mm)	2388 x 889 x 775			EEl	55
Supplied Supports	ø 102 mm castors (127 mm height)			kWh/24hr	3.1
				kWh/Annum	1132
				Defrost Type	Auto



Specifications subject to change without notice.
 Technical data above related to energy use based on testing of 50Hz or Dual Frequency models
 Chart dimensions rounded up to the next whole millimeter (inches rounded up to the 1/8")

TRCB-79-86-HC

Under-Equipment Refrigerator, 4 Drawers, Extended top



WARRANTY
PARTS, COMPRESSOR AND LABOUR
5 YEARS
natural refrigerant.

Specifications subject to change without notice.
Technical data above related to energy use based on testing of 50Hz or Dual Frequency models
Chart dimensions rounded up to the next whole millimeter (inches rounded up to the 1/8")

WA DEALER
PRACTICAL PRODUCTS PTY LTD

